

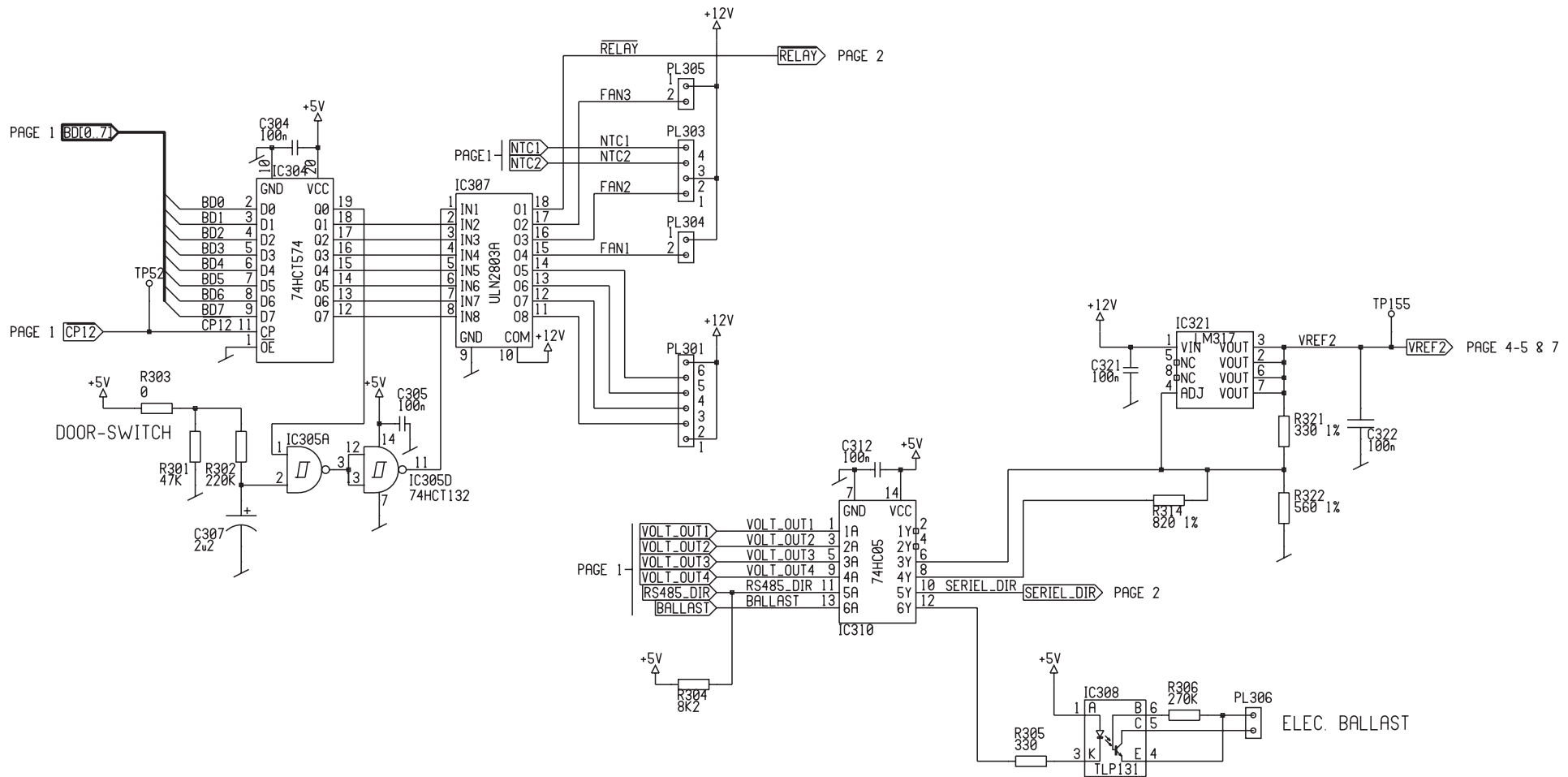
FIG 7 PAGE 4-5 & 7

FIG 7 PAGE 4-5

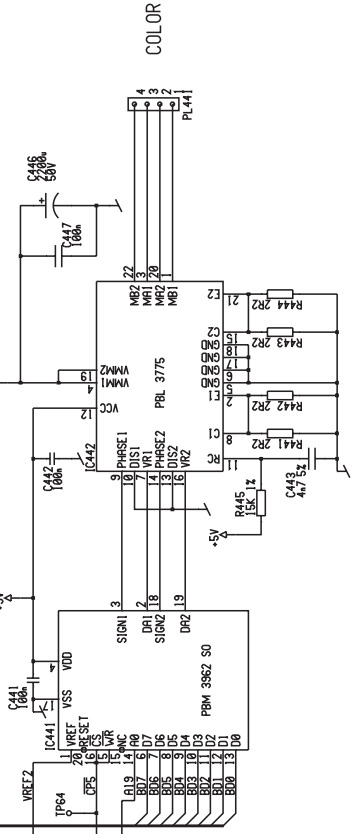
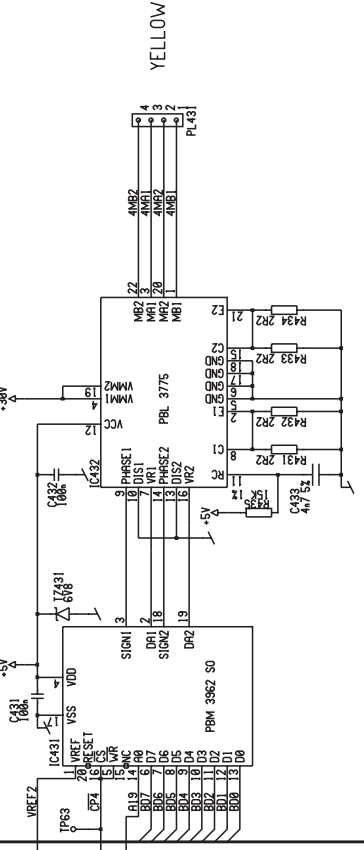
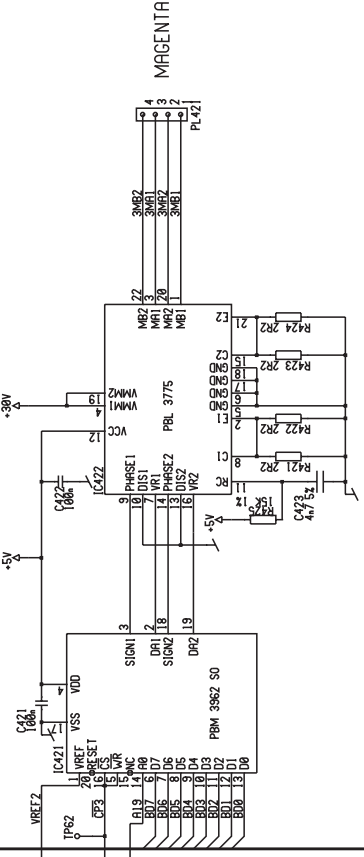
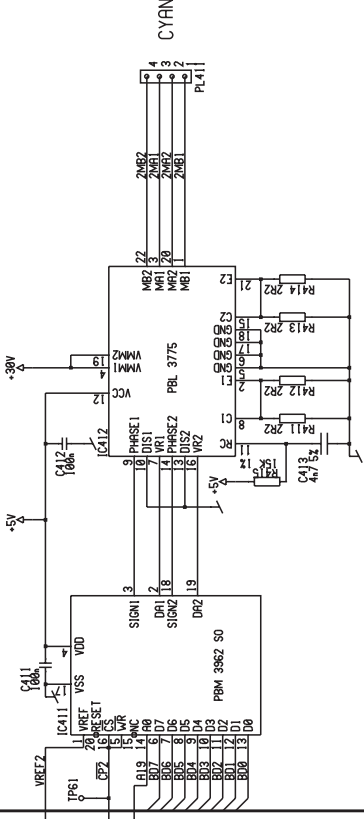
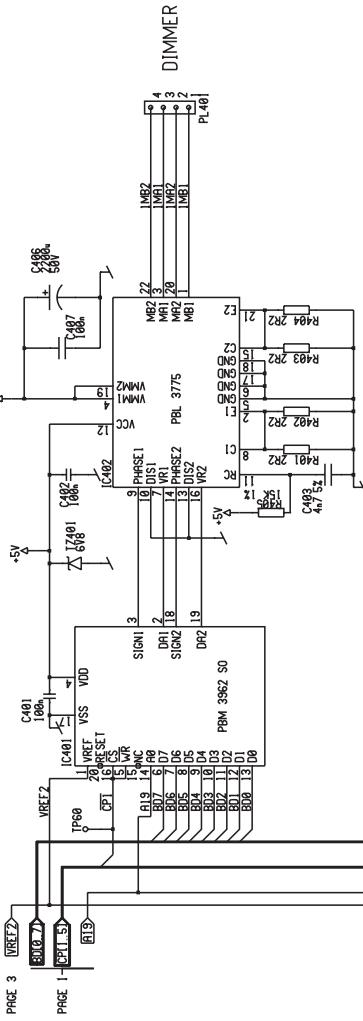
FIG 3 PAGE 3

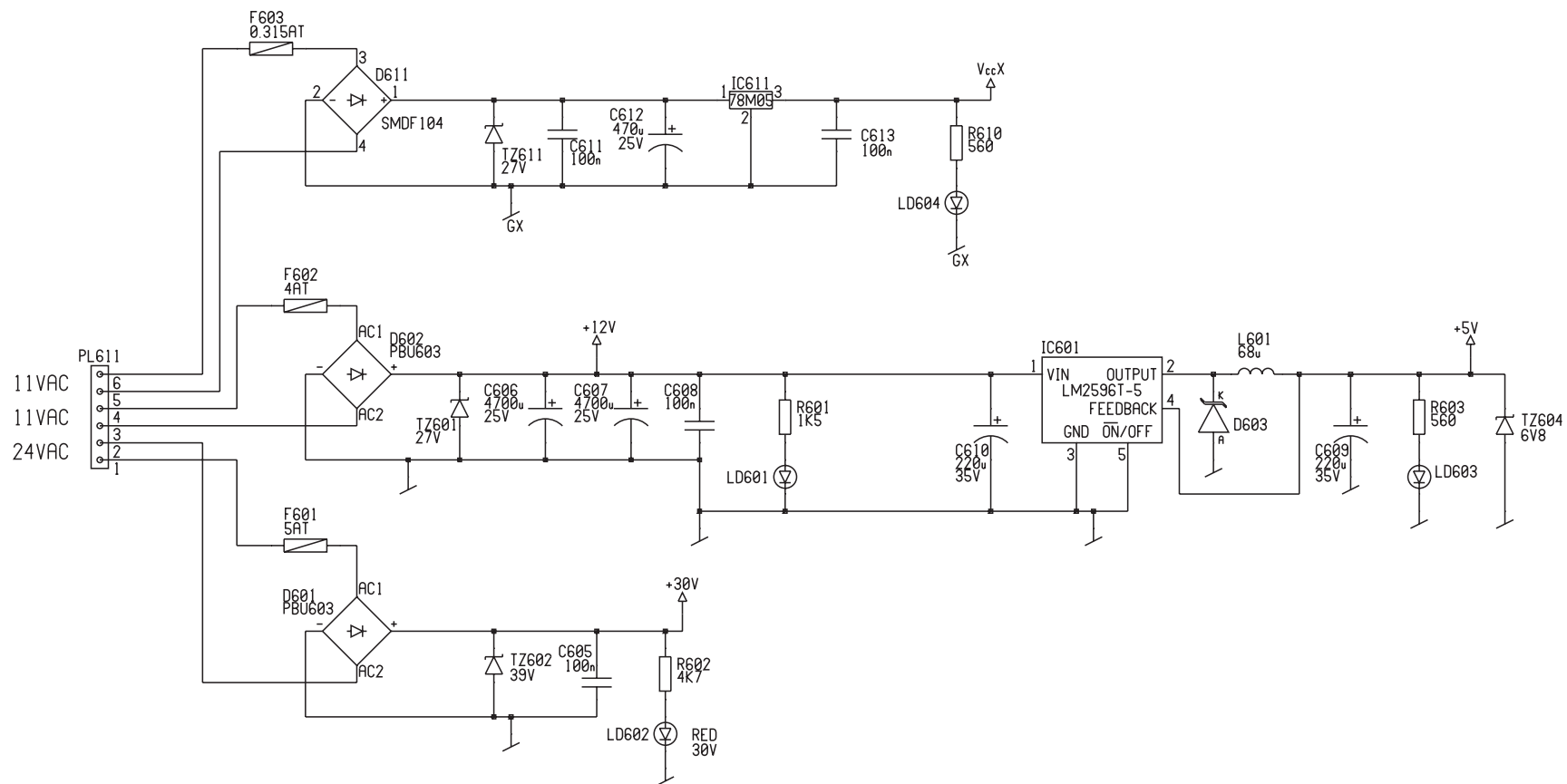
LIGHT SENSE 1 - 2

PRODUCT		ENG	
EXTERIOR 600 MAINBOARD		Martin Professional A/S	
NAME		REVISION	PAGE
62000002 SCH / 01001508.PCB		B0	1 OF 7
		DRAWN BY	
		DATE	TIME
		13/04/00	14:29

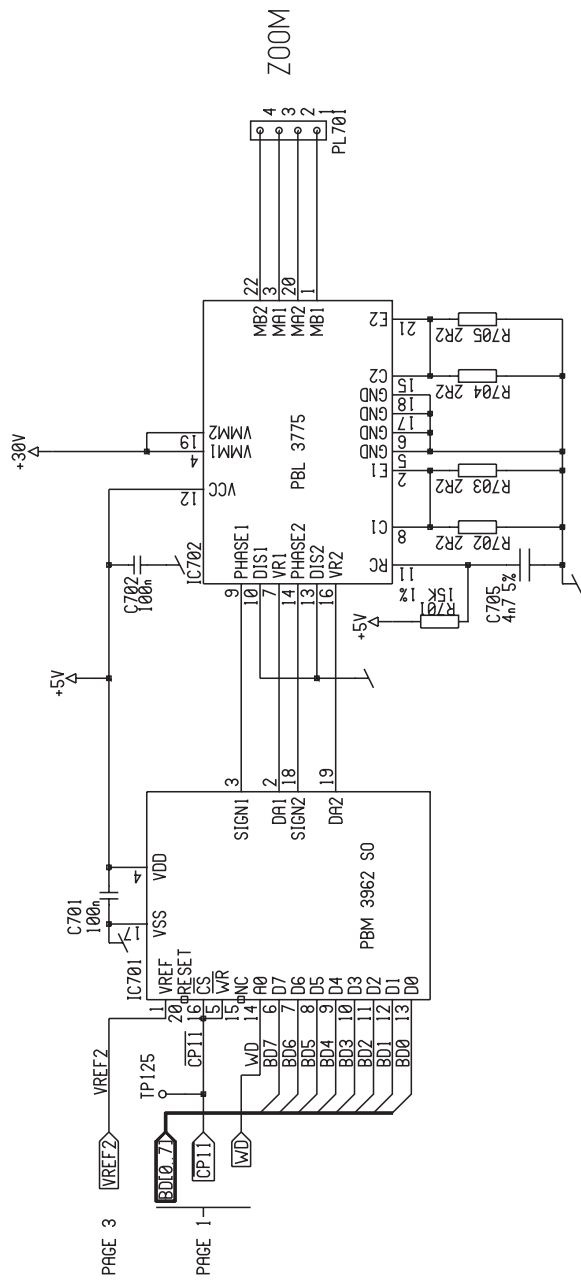


PRODUCT		ENG.	
EXTERIOR 600 MAINBOARD		Martin Professional A/S	
NAME		REVISION	PAGE
62000002.SCH / 01001508.PCB		B0	3 OF 7
		DRAWN BY	
		DATE	TIME
		13/04/00	14:30





PRODUCT		ENG.	
EXTERIOR 600 MAINBOARD		Martin Professional A/S	
REVISION B0	PAGE 6	OF 7	
DRAWN BY BH			
NAME	DATE	TIME	
62000002.SCH / 01001508.PCB	13/04/00	14:31	



PRODUCT

EXTERIOR 600
MAINBOARD

ENG.

Martin Professional A/S

REVISION B0 PAGE 7 OF 7

DRAWN BY BH

DATE 13/04/00 TIME 14:31

NAME 62000002.SCH / 01001508.PCB